

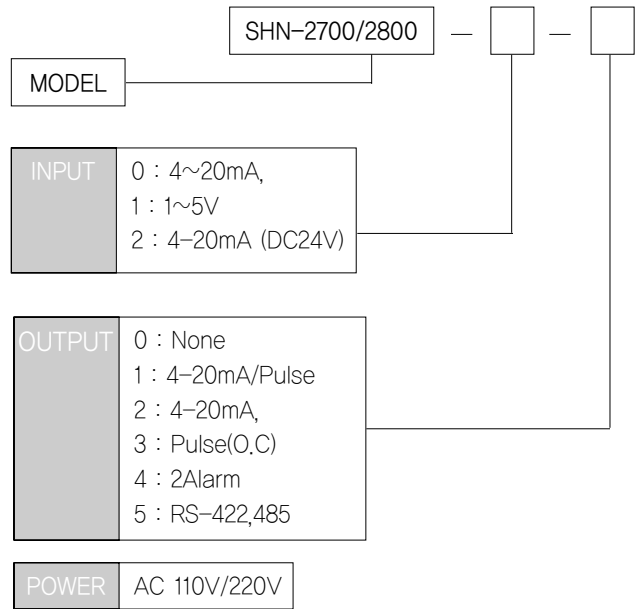


INPUT MODE(4~20mA, 1~5V)

SHN-2700 series are digital intergrator that designed to measure the wide range of flow application. Where high accuracy and fiexibility are required. It's accept a DC-signal integrate, calculate and totalizer and display the rate flow, total and accumulated total values.

- Analogue output (4~20mA, pulse)
- total, rate display

MODEL & SUFFIX CODE SELECTION



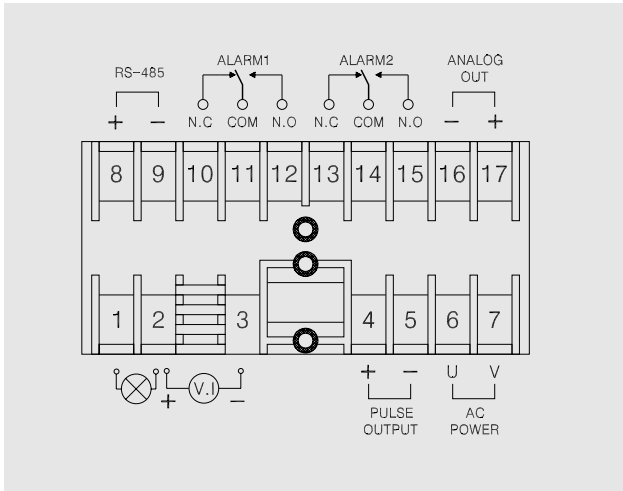
>>	Resettable Total Clear(일일적산)	Push 3Second
0+ <	Resettable Total Clear(토탈적산)	Push 3Second

GENERAL SPECIFICATIONS

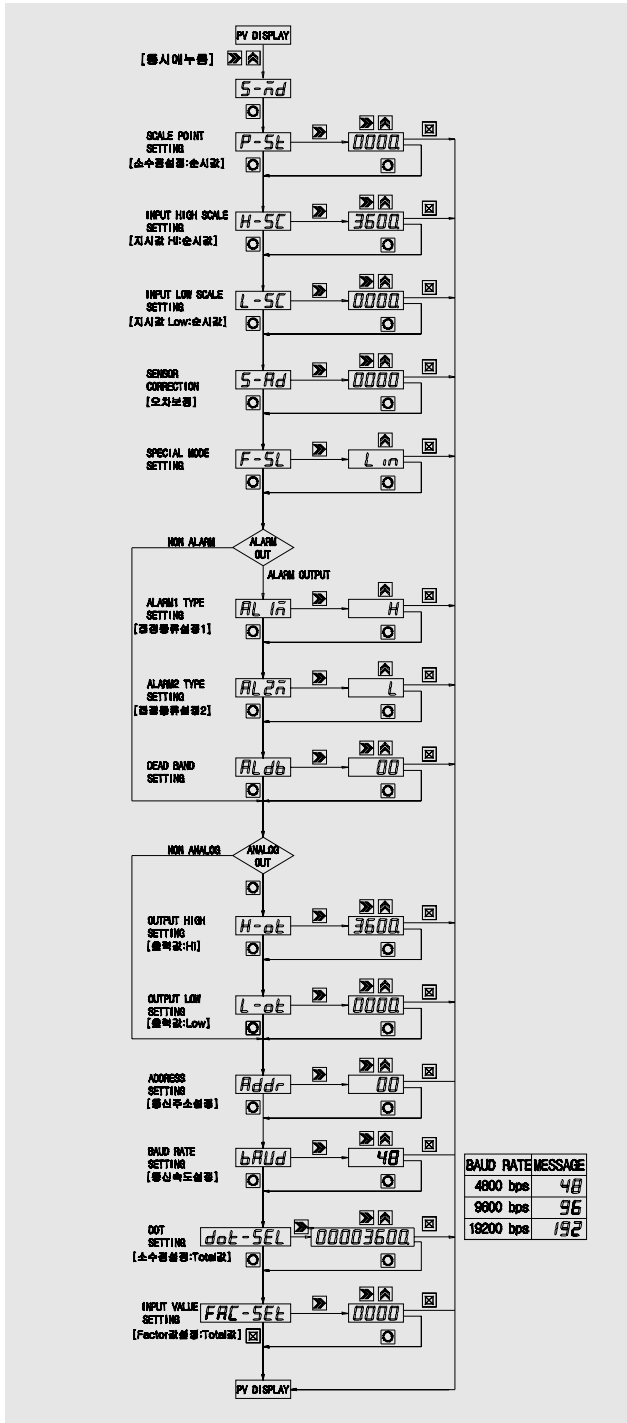
Power Supply	AC110/220V Internal selection 60Hz ±10%	
	Power Consumption Approx. 5VA	
Input	Analog (4~20mA, 1~5V)	
Accuracy	0.15% Full scale, ±1 Digit(25°C ±5°C)	
Sampling cycle	100msec	
Analytic Capacity	15bit	
Lineality	±0.02% Full scale	
Temp Coefficient	±0.015%/°C	
Moment flow range value	9999	
Max conting value	0~999999	
Tatal integrate value	0~9999999	
Insulation resistance	Greater than 100MΩ whit DC500V	
Dielectric Strength	Input-Power	AC2000V
	Output-Power	AC1000V
	GND power	
Operating Temperature/Humidity	-20~60°C/90%(N.C)	
Storage Temperature/Humidity	-20~80°C/95%(N.C)	
Dimensions	W96×H48×D112(mm)	
Case Material	ABS Resin(white)	
Weight	about 400g	
Mounting	Panel Mounting Type	

TOTALIZER SHN-2700/2800

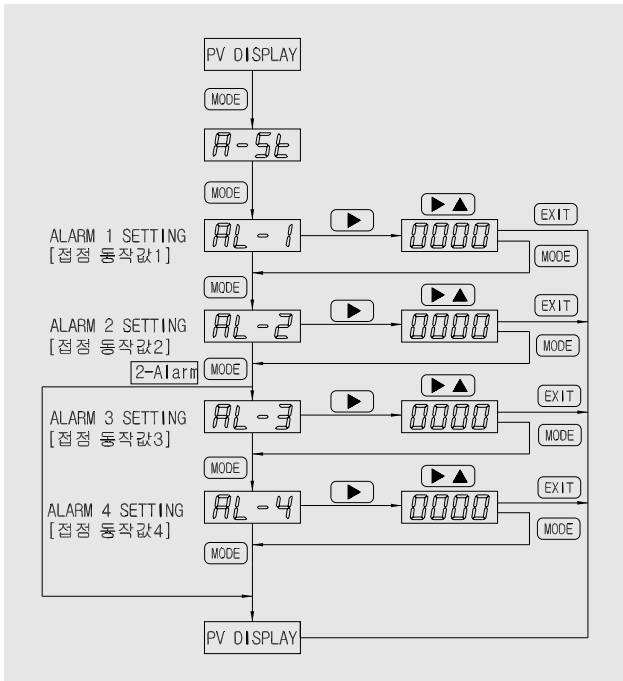
CONNECTION EXAMPLE



PROGRAM CHART



PROGRAM CHART



DIMENSIONS (Unit : mm)

