

CT TRANSMITTER

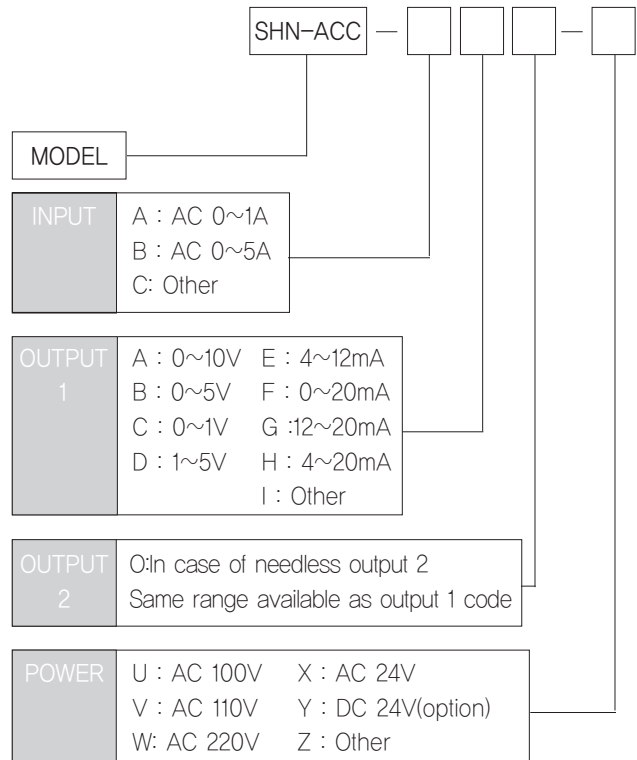
SHN-ACC



Converting an alternating current that receives from a CT-sensor into a standard process signal.

- Monitoring of power line and power supply current.
- Centralized monitoring and controlling of motors, pumps or heaters by DCS.
- True R.M.S. sensing.
- 1 or 2 outputs are available from 1 input.
- Contains overvoltage protection circuit.
- Transformer isolation type.

MODEL & SUFFIX CODE SELECTION



GENERAL SPECIFICATIONS

Input	AC Current(CT)		
Isolation/Type	Input to output to power/Transformer isolation type		
Power Supply	AC rating $\pm 10\%$, approx. 3.5VA DC rating $\pm 10\%$, (ripple 10%)100mA		
Accuracy	$\pm 0.35\%$ (Max)		
Temp Coefficient	$\pm 0.02\%$, / °C($\pm 0.008\%$ / °F)		
Ripple	0.5% p-p(Max)		
Linearity	$\pm 0.3\%$ F.S		
Insulation Resistance	Greater than 100M Ω with DC 500V		
Dielectric Strength	Input - Power	AC 2500V	1 minute
	Input - Output		
	Output 1 - Output 2		
	GND - Power		
Front Adjustments	Zero and Span $\pm 5\%$		
Overrange Output	approx. -10% ~ 110% at DC 1~5V		
Response Time	≤ 0.5 sec (0~90%)		
Operating Temperature/Humidity	-20~60°C / 90%(N.C)		
Storage Temperature/Humidity	-20~80°C / 95%(N.C)		
Dimensions	8 pin: W50xH85xD122(mm)		
	11 pin: W50xH85xD133(mm)		
Case Material	ABS Resin (black)		
Weight	about 400g		
Mounting	Wall & Rail mounting		

SIGNAL TRANSMITTER SHN-ACC

INPUT & OUTPUT SPECIFICATIONS

Input Impedance

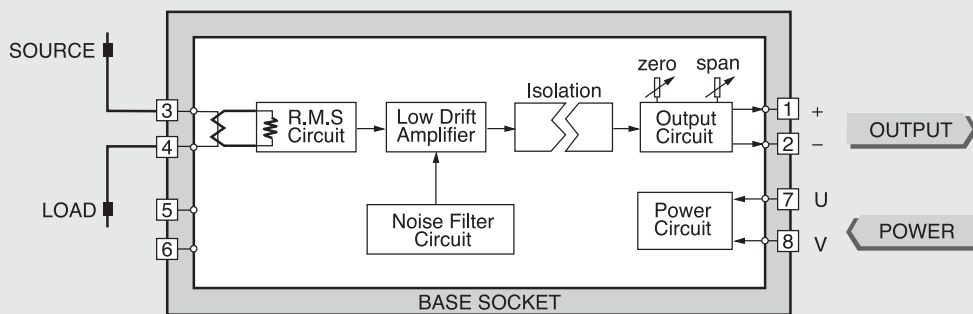
Specification	Report
Frequency	50Hz or 60Hz
Input Burden	0.5VA(Max)

Output Load Resistance

Output	1 Point	2 Point		Remark
	Output	Output-1	Output-2	
4 ~ 20mA	700Ω	600Ω	350Ω	(Max)
0 ~ 20mA	700Ω	600Ω	350Ω	(Max)
2 ~ 10mA	1200Ω	1200Ω	700Ω	(Max)
1 ~ 5V	5000Ω	5000Ω	5000Ω	(Min)
0 ~ 1V	1000Ω	1000Ω	1000Ω	(Min)

BLOCK DIAGRAM

1 Point Output



2 Point Output

