

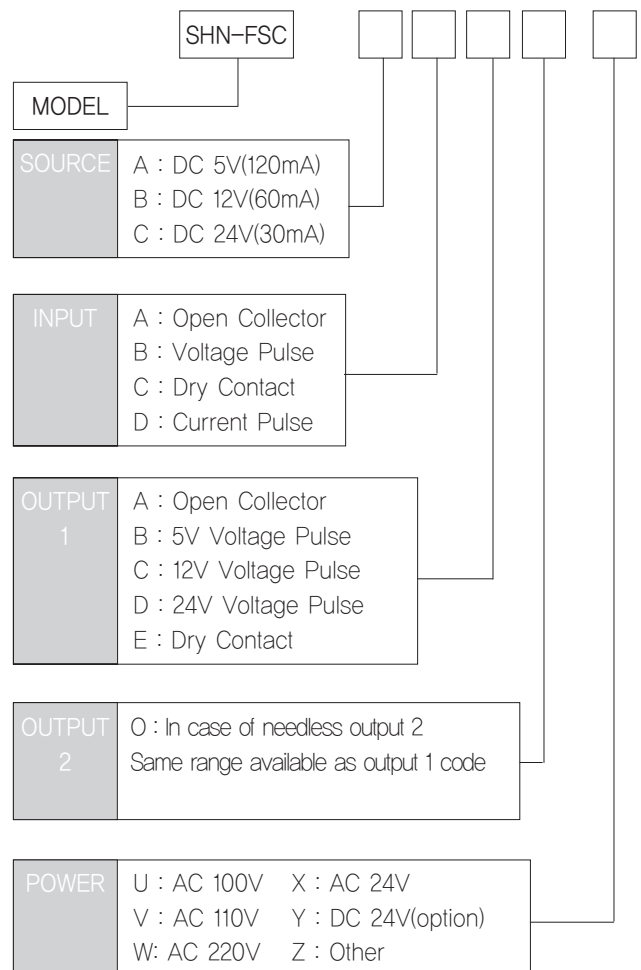
# PULSE SCALER

SHN-FSC



- Converting unfactor pulse into factor pulse and transmitting in isolated condition.
- Unifying the output waveform.
  - Positive displacement flowmeters or turbine flowmeters.
  - Converting dry contact pulse signals from a rotating machine into an engineering unit.
  - Magnetic tachometers.
  - Proximity switches.
  - Oval flowmeters.
  - Contains overvoltage protection circuit.
  - Selecting Power Voltage AC 110V/220V converting S/W is located in the interior of the set. When you converting the voltage, convert the S/W in socket PCB.

## MODEL & SUFFIX CODE SELECTION



## GENERAL SPECIFICATIONS

Isolation/Type	Input to output to power		
Power Supply	AC rating $\pm 10\%$ , approx. 4VA		
Insulation Resistance	DC rating $\pm 10\%$ , (ripple 10%)100mA		
	Greater than 100M $\Omega$ with DC 500V		
Dielectric Strength	Input - Power	AC 2500V AC 1000V	1 minute
	Input - Output		
	GND - Power		
Operating Temperature/Humidity	-20~60°C / 90%(N.C)		
Storage Temperature/Humidity	-20°C~80°C / 95%(N.C)		
Dimensions	8 pin:W50xH85xD122(mm)		
	11 pin:W50xH85xD133(mm)		
Case Material	ABS Resin (black)		
Weight	about 400g		
Mounting	Wall & Rail mounting		

# SIGNAL TRANSMITTER SHN-FSC

## INPUT & OUTPUT SPECIFICATIONS

### Input Specification

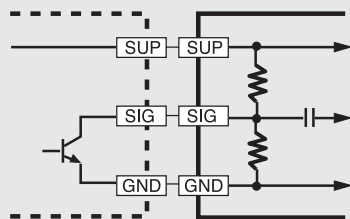
Specifications	Report	
Frequency Range	0 - 10kHz	
Open Collector Spec	Pulse Width	10msec. at < 20Hz
	Duty Ratio	20~80%
	Sensing	DC 12V at 3mA
	Input Amplitude	$\leq 2V$ for ON, $\geq 3V$ for off
Voltage Pulse Spec	Square or Sine Waveforms	5 $\mu$ sec(Min)
	Pulse Width	600 $\Omega$ (Min)
	Duty Ratio	10 msec. at 0~20Hz 20~80%
	Input Amplitude	500mV(p-p)~50V(p-p)
	Input Impedance	62K $\Omega$
Current Pulse Spec	Input Impedance	250 $\Omega$

### Output Specification

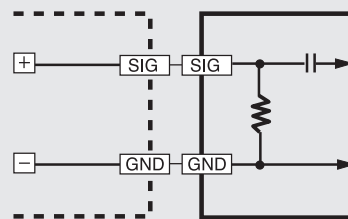
Specifications	Report	
Open Collector Spec	Voltage	DC 60V(Max) AC 60V(p-p)
	Load Current	0.4 A(Max)
	Load Impedance	1.4 $\Omega$ (Min)
Voltage Pulse Spec	Level	High:V $\pm 10\%$ Low:0 $\leq 0.5V$
	Load Impedance	600 $\Omega$ (Min)
Current Pulse Spec	Voltage	DC 60V(Max) AC 125V(p-p)
	Load Current	1A(Max)

## INPUT CONNECTION EXAMPLES

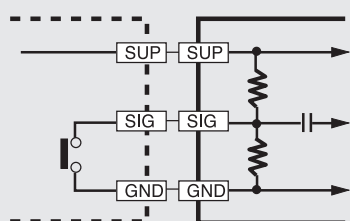
1. Open Collector



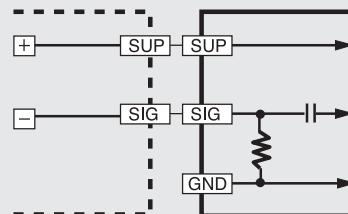
2. Voltage Pulse



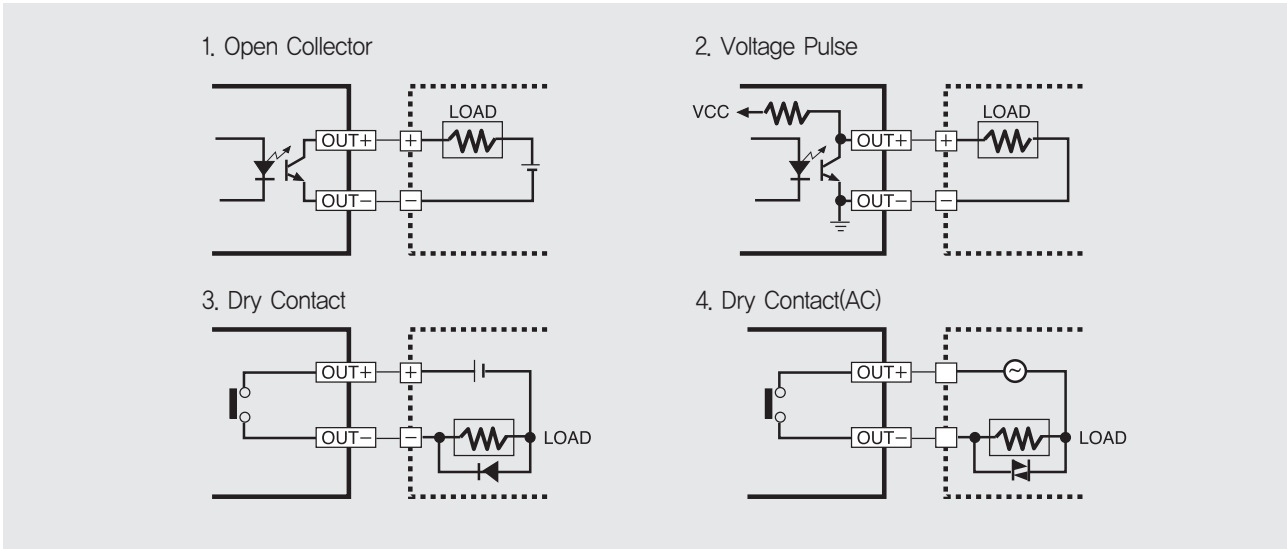
3. Dry Contact



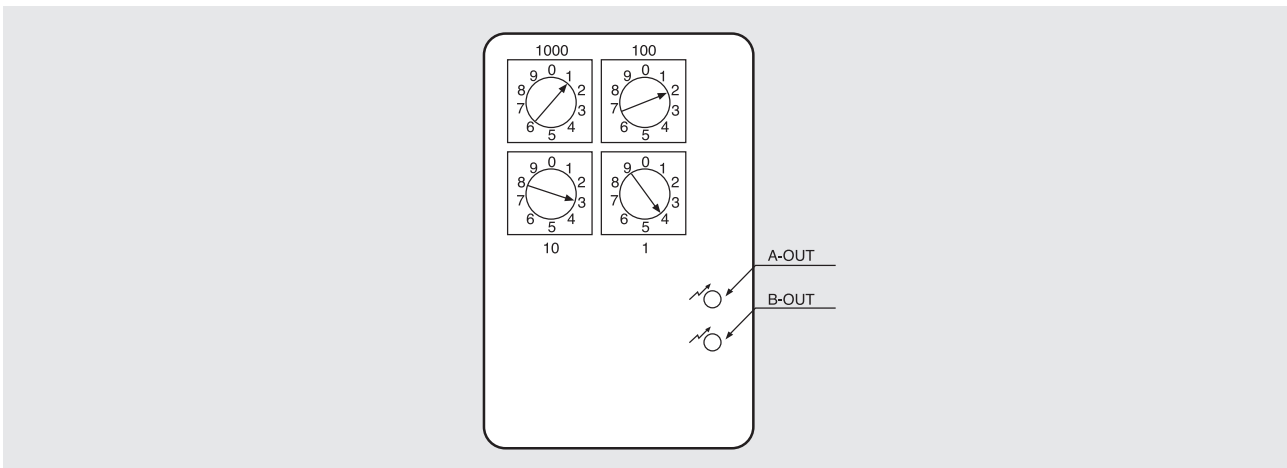
4. Current Pulse



### OUTPUT CONNECTION EXAMPLES

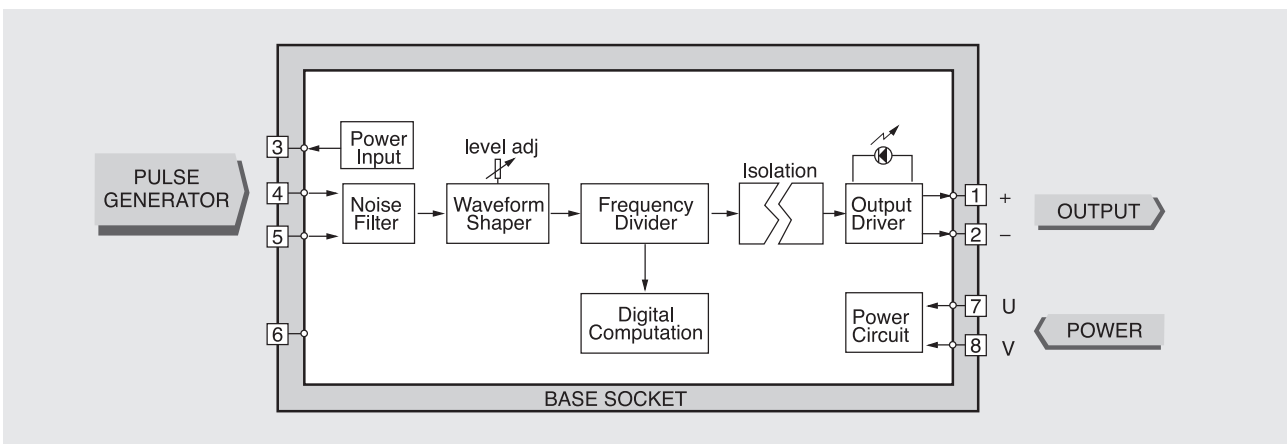


### FREQUENCY RANGE SETTING (e.g) 10000 pulse to 1234 pulse



### BLOCK DIAGRAM

#### 1 Point Output



# SIGNAL TRANSMITTER SHN-FSC

## 2 Point Output

