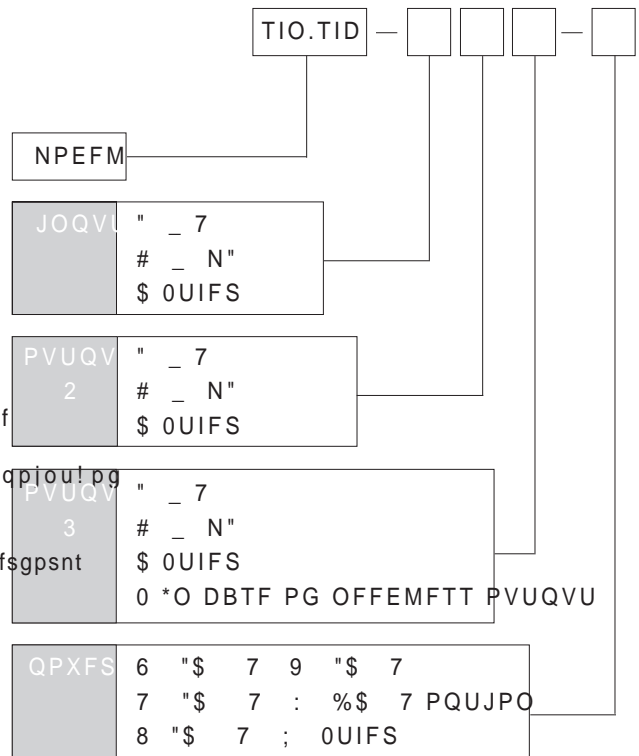




B!dpowfsufs!jt!eftjhofe!gps!ipme!joh!boe!usbotnjuujoh!uif
 qspqpsujpobm!up!joqvut!tjhobm!jo!jtpmbufe!dpoejujpo/
 !Y!pme! npef;Uif! pvuqvut! xjmm! cf! ipme! bu! uif! qpiou!pg
 uijtnef!voujm!uif!sftfuldpnnboe!jojujbufe/
 !YFyufsobm!dpoubdu!dmpvsv!bt!uif!dpnnboe/
 !YDbquvsjoh!tjhobm!gspn!b!dpnqptjuf!bobmz!fs!uibu!qfsgpsnt
 bmuvsobumz!po!fbdi!tbnqmf/
 !Y2!ps!3!pvuqvut!bsf!bwbjmbcmf!gspn!2!joqvut/
 !YDpoubjot!pwfswpmubhf!qspufdujpo!djsdvju/
 !YUsbotgpsnfs!jtpmbujpo!uzqf/

MODEL & SUFFIX CODE SELECTION



GENERAL SPECIFICATIONS

| | | | |
|---|---|----------------|--------|
| *TPMBUJPO 5ZQF 1PXFS 4VQQMZ "DDVSBZ | *OQVU UP PVUQVU UP QPXFS 5SBOTGPSNFS JTPMBUJPO UZQF "\$ SBUJOH , BQQSPY 7" "%\$ SBUJOH SJQQMF N" , .BY | | |
| 5FNQ \$PFGGJDJFOU -JOFBSJUJ *OTVMBUJPO 3FTJTUBODF | , i\$, i' , '4 (SFBUS UIBO .f XJUI %\$ 7 | | |
| %JFMFDUSJD 4USFOHUI | *OQVU 1PXFS *OQVU 0VUQVU 0VUQVU 0VUQVU (/% 1PXFS | "\$ 7 "\$ 7 | OVU#NJ |
| 'SPOU "EKVTUNFOUT 0WFSSBOHF 0VUQVU 3FTQPOTF 5JNF 0QFSBUJOH 5FNQFSBUVSF)VNJEJUJ 4UPS BHF 5FNQFSBUVSF)VNJEJUJ | ;FSP BOE 4QBO , BQQSPY _ BU %\$ _ 7 " TFD _ _ i\$ / \$ _ i\$ / \$ | | |
| %JNFOTJPOT | QJO 8 Y) Y% NN QJO 8 Y) Y% NN | | |
| \$BTF .BUFSJBM 8FJHIU .PVOUJOH | "#4 3FTJO CMBDL BCPVU H 8BMM 3BJM NPVOUJOH | | |

SIGNAL TRANSMITTER

TI O. TI D

INPUT & OUTPUT SPECIFICATIONS

Input Impedance

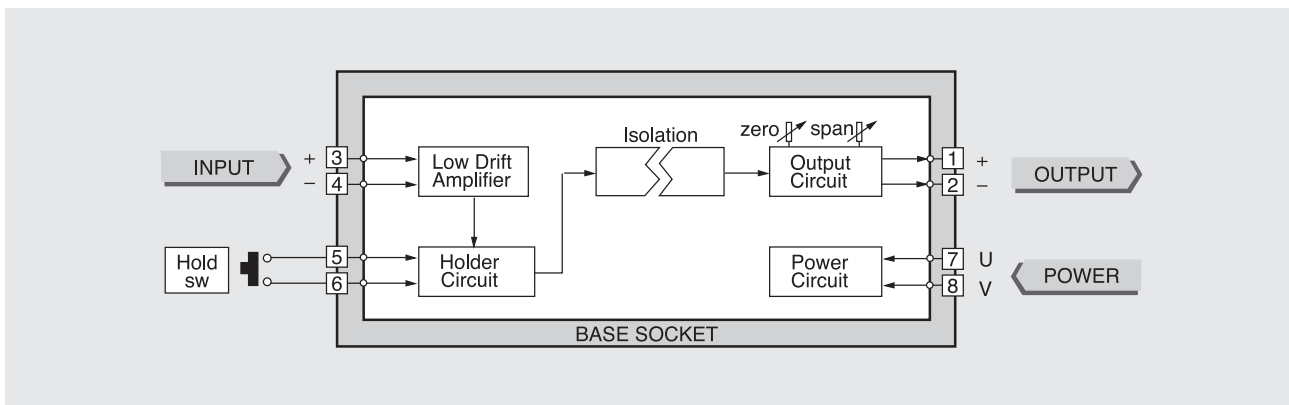
| OVU | NEBOD |
|----------------|-------|
| N ^o | É |
| Z | OE |

Output Load Resistance

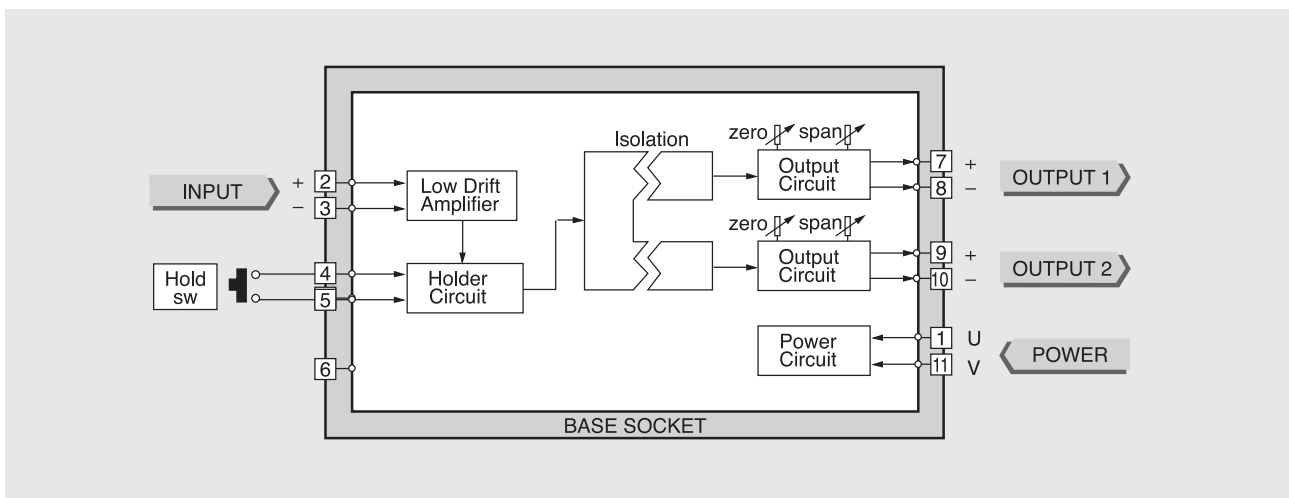
| OVU | TU | | | 3RBSL |
|----------------|-----|-----|-----|-------|
| | OVU | OVU | OVU | |
| N ^o | É | É | É | BY |
| Z | LE | LE | LE | Ø |

BLOCK DIAGRAM

1 Point Output



2 Point Output



RESET TIMING CHART

