

# HIGH/LOW SELECTOR

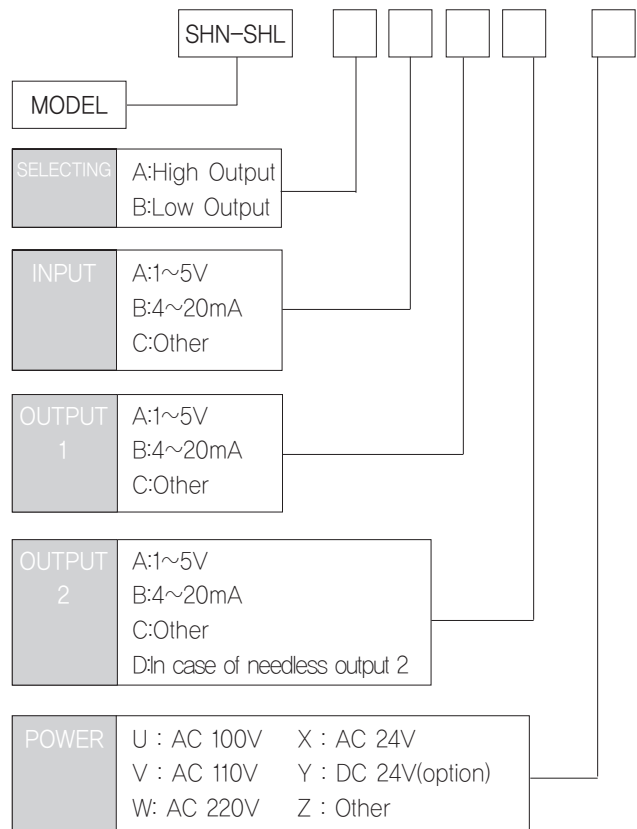
SHN-SHL



SHN-SHL is accepts 2 input signal and provides the selected High or Low isolated output signal.

- Selecting higher flow, pressure, etc., for control.
- Contains overvoltage protection circuit.
- Transformer isolation type.

## MODEL & SUFFIX CODE SELECTION



## GENERAL SPECIFICATIONS

Isolation/Type	Input to output to power/Transformer isolation type		
Power Supply	AC rating $\pm 10\%$ , approx. 3.5VA DC rating $\pm 10\%$ , (ripple 10%)100mA		
Accuracy	$\pm 0.3\%$ (Max)		
Temp Coefficient	$\pm 0.02\%$ / $^{\circ}\text{C}$ ( $\pm 0.008\%$ / $^{\circ}\text{F}$ )		
Linearity	$\pm 0.03\%$ F.S		
Insulation Resistance	Greater than 100M $\Omega$ with DC 500V		
Dielectric Strength	Input - Power	AC 2500V	1 minute
	Input - Output		
	Output 1 - Output 2		
	GND - Power		
Front Adjustments	Zero and Span $\pm 10\%$		
Overrange Output	approx. $-10\% \sim 110\%$ at DC 1~5V		
Response Time	$\leq 0.5$ sec (0~90%)		
Operating Temperature/Humidity	$-20 \sim 60^{\circ}\text{C}$ / 90%(N.C)		
Storage Temperature/Humidity	$-20 \sim 80^{\circ}\text{C}$ / 95%(N.C)		
Dimensions	8 pin:W50xH85xD122(mm)		
	11 pin:W50xH85xD133(mm)		
Case Material	ABS Resin (black)		
Weight	about 400g		
Mounting	Wall & Rail mounting		

# SIGNAL TRANSMITTER SHN-SHL

## INPUT & OUTPUT SPECIFICATIONS

### Input Impedance

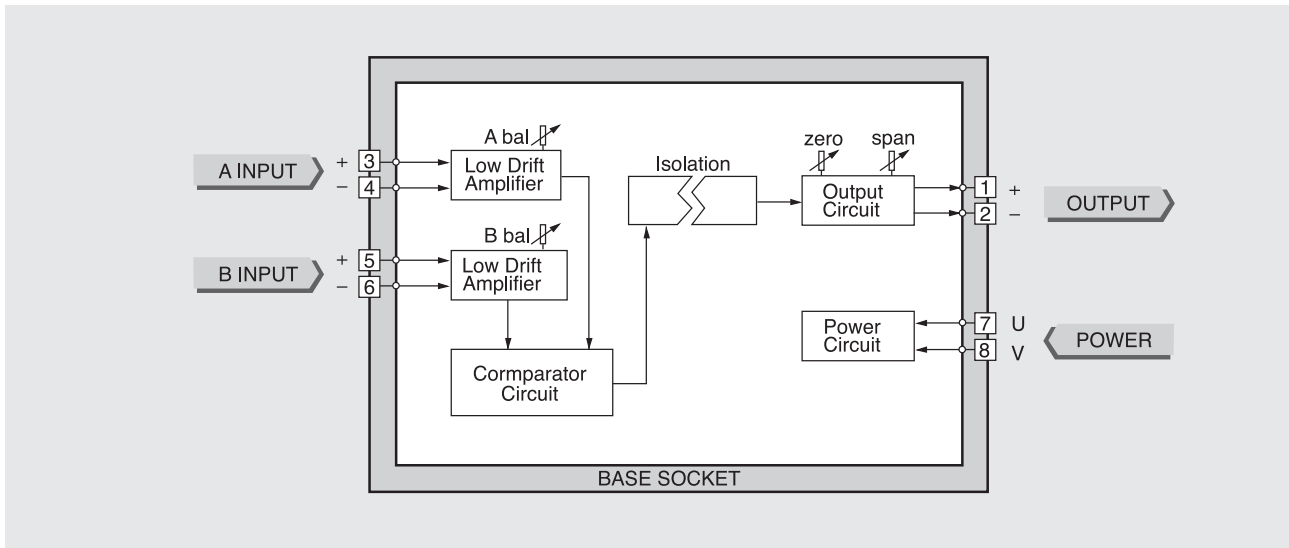
Input	Impedance
4~20mAx2P	250Ω
1~5Vx2P	1MΩ (Min)

### Output Load Resistance

Output	1 Point	2 Point		Remark
	Output	Output-1	Output-2	
4 ~ 20mA	700Ω	600Ω	350Ω	(Max)
1 ~ 5V	5kΩ	5kΩ	5kΩ	(Min)

## BLOCK DIAGRAM

### 1 Point Output



### 2 Point Output

