

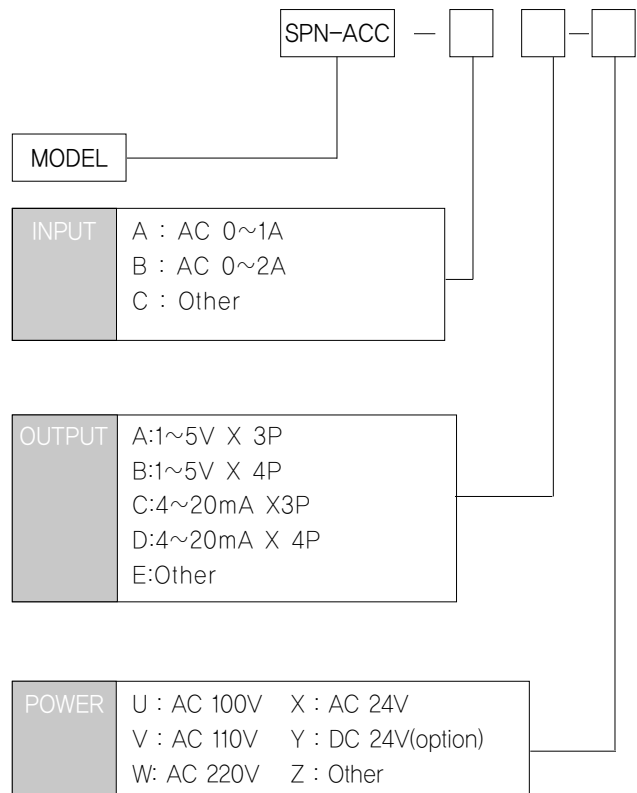
CT TRANSMITTER

SPN-ACC



- Converting an alternating current that receives from a CT-sensor into a standard process signal.
- Monitoring of power line and power supply current.
 - Centralized monitoring and controlling of motors, pumps or heaters by DCS.
 - True R.M.S. sensing.
 - 3 or 4 outputs are available from 1 input.
 - Contains overvoltage protection circuit.
 - Transformer isolation type.

MODEL & SUFFIX CODE SELECTION



GENERAL SPECIFICATIONS

Input Isolation/Type	AC Current(CT) Input to output to power/Transformer isolation type		
Power Supply	AC rating $\pm 10\%$, approx. 8VA DC rating $\pm 10\%$, (ripple 10%)200mA		
Accuracy	$\pm 0.35\%$ (Max)		
Temp Coefficient	$\pm 0.02\%$, $^{\circ}\text{C}(\pm 0.008\% / ^{\circ}\text{F})$		
Ripple	$\pm 0.5\%$ p-p(Max)		
Linearity	$\pm 0.3\%$ F.S		
Insulation Resistance	Greater than 100M Ω with DC 500V		
Dielectric Strength	Input - Power	AC 2500V	1 minute
	Input - Output		
	Output 1 - Output 2		
	GND - Power		
Front Adjustments	Zero and Span $\pm 5\%$		
Overrange Output	approx. $-10\% \sim 110\%$ at DC 1~5V		
Response Time	≤ 0.5 sec (0~90%)		
Operating Temperature/Humidity	$-20 \sim 60^{\circ}\text{C} / 90\%$ (N.C)		
Storage Temperature/Humidity	$-20 \sim 80^{\circ}\text{C} / 95\%$ (N.C)		
Dimensions	W81xH129xD138(mm)		
Case Material	Aluminum		
Weight	about 980g		
Mounting	Wall mounting		

SIGNAL CONVERTER SPN-ACC

INPUT & OUTPUT SPECIFICATIONS

Input Specification

Specification	Report
Frequency	50Hz or 60Hz
Input Burden	0.5VA(Max)

Output Load Resistance

Output	Out-1	Out-2	Out-3	Out-4	Remark
4 ~ 20mA	460Ω	460Ω	460Ω	460Ω	(Max)
0 ~ 20mA	460Ω	460Ω	460Ω	460Ω	(Max)
2 ~ 10mA	950Ω	950Ω	950Ω <td 950Ω	(Max)	
1 ~ 5V	5000Ω	5000Ω	5000Ω	5000Ω	(Min)
0 ~ 1V	1000Ω	1000Ω	1000Ω	1000Ω	(Min)

BLOCK DIAGRAM

