

P-ISO



FEATURE

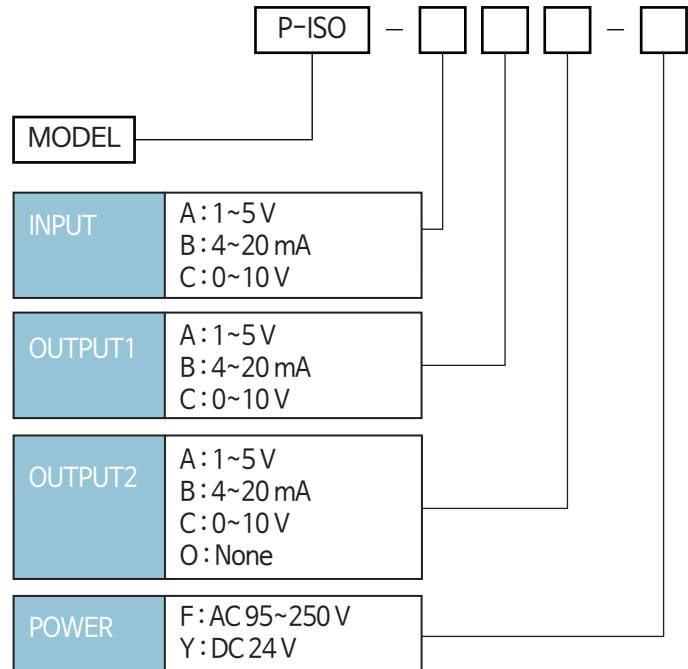
P-ISO is used to transmitters DC signal in isolated condition.

- Isolation between control room and field instrumentation.
- 1 or 2 outputs are available from 1 input.
- Contains overvoltage protection circuit
- Transformer isolation type
- Slim wide 18mm

SPECIFICATION

Isolation / Type	Input to output to power / Transformer isolation type
Power Supply	AC 95 ~ 250V (50~60Hz) / DC 24V
Accuracy	± 0.10% (Max)
Linearity	± 0.02% (Full Scale)
Temperature Coefficient	± 0.015% / °C
Insulation Resistance	Greater than 100MΩ with DC 500V
Front Adjustments	Zero and Span ±5%
Response Time	≤ 0.5 sec (0~90%)
Overrange Output	approx. -10% ~ 110% at DC 1~5V
Operating Temperature/Humidity	-10 ~ 60°C / 90% (N.C)
Storage Temperature/Humidity	-20 ~ 80°C / 95% (N.C)
Dimensions	W18 x H100 x 112 (mm)
Case Material	ABS Resin (Blue) / Flame Retardant
Weight	120g
Mounting	Wall & Rail Mounting

MODEL CODE SELECTION



SIGNAL TRANSMITTER P-Unit series

INPUT & OUTPUT SPECIFICATIONS

Input Impedance

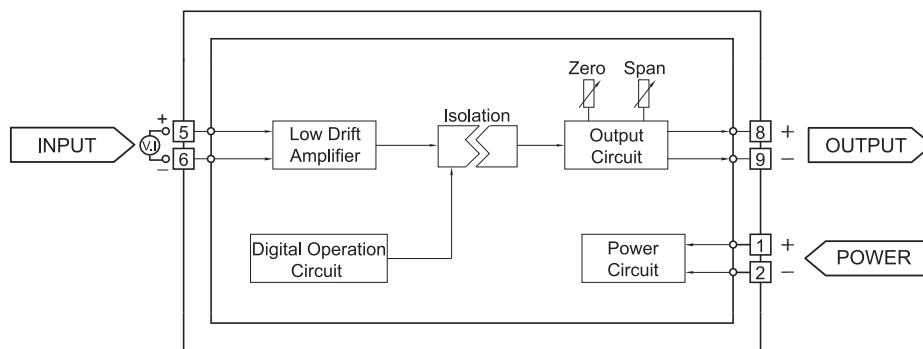
Input	Impedance
4 ~ 20mA	250Ω
0 ~ 20mA	250Ω
2 ~ 10mA	250Ω
1 ~ 5V	1MΩ (Min)
0 ~ 1V	1MΩ (Min)
0 ~ 10V	1MΩ (Min)

Output Load Resistance

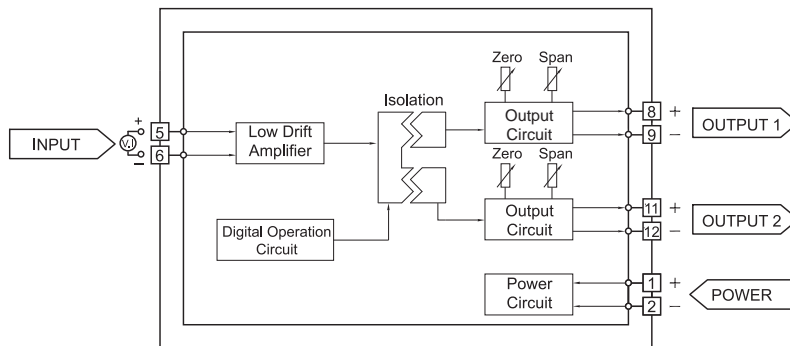
Output	1 Point	2 Point		Remark
	Output	Output-1	Output-2	
4 ~ 20mA	700Ω	600Ω	350Ω	(Max)
0 ~ 20mA	700Ω	600Ω	350Ω	(Max)
1 ~ 5V	5000Ω	5000Ω	5000Ω	(Min)

BLOCK DIAGRAM

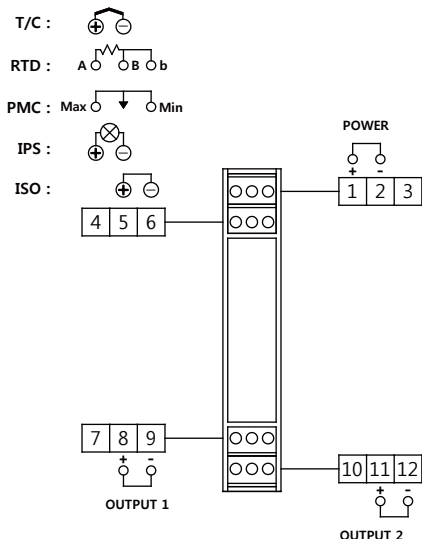
1 Point Output



2 Point Output



Connection Diagram



Dimensions

