

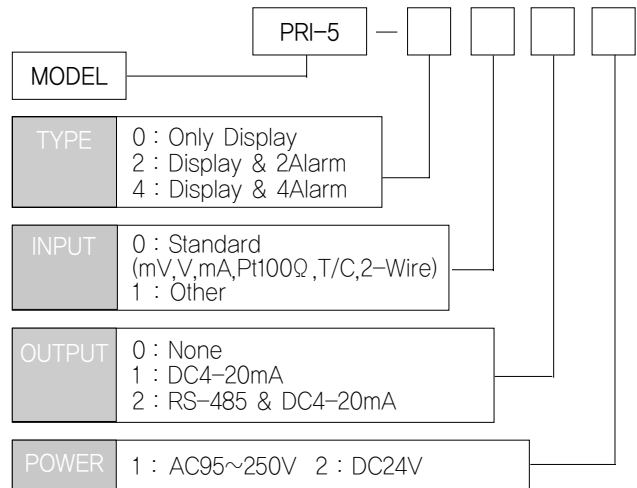
# 2 COLOR MULTI INPUT INDICATOR

PRI-5000



- Universal input Mode (mA,mV,V,T/C,RTD)
- It is realized hi effectiveness and hi accuracy use by 16bit AD converter
- It is contains peak hold funtion so possible to use various application
- Contain burnout funtion that give high output and display warning message when sensor line was disconnected by accident or otherr reasons
- Isolated current output also possible with scaling funtion

## MODEL & SUFFIX CODE SELECTION



## GENERAL SPECIFICATIONS

Power Supply	DC 24V Type AC 24V Type AC Type	DC18V ~ 30V, (ripple 10%) 80mA AC12V ~ 25V(50~60Hz), 3VA AC95 ~ 250V / 50~60Hz
Display Accuracy	-9999~9999, 7Segment 4Digit ±0.2% Full Scale, ±1 Digit(25°C ±5°C)	
Input Impedance	V Type Pt100Ω Ω, T/C Type	400kΩ 1MΩ
Sampling cycle	V Type Pt100Ω Ω, T/C Type	200ms 400ms
CMRR	140dB or More	
NMRR	50dB or More	
Sensor Power	DC24V / 30mA (±5% or less)	
Temp Coefficient	±0.015% / °C	
Isolation Resistance	Greater then 100MΩ with DC500V	
Dielectric Sterngth	Input - Power Output - Power GND - Power	AC2000V AC1000V 1 minute
Operating Temperature / Humidity Storage Temperature / Humidity Dimensions Case Material Weight Mounting	-20~60°C / 90% (N.C) -20~80°C / 95% (N.C) W96H48*D92 (mm) ABS Resin (black) about 400g Panel mounting	

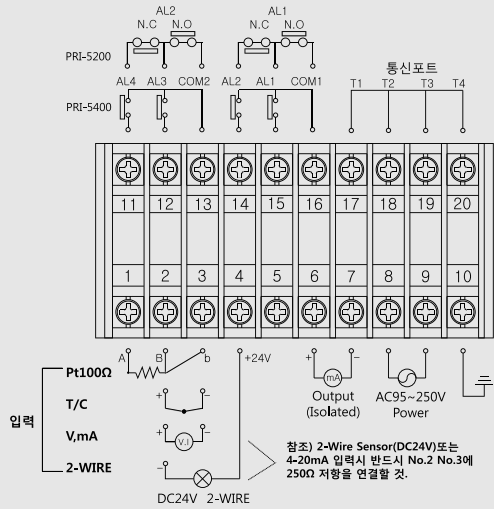
## MULTI RANGE INPUT

Sensor		Range of Input and Scale	MIN Span	Message
T/C	S	0~1750°C	300.0°C	ℓ[-S
	R (PR13%)	0~1750°C	300.0°C	ℓ[-r
	K (CA)	-200~1350°C	300.0°C	ℓ[-K
	E (CRC)	-200~700°C	200.0°C	ℓ[-E
	J (IC)	-200~800°C	200.0°C	ℓ[-J
	T(CC)	-200~400°C	50.0°C	ℓ[-t
RTD	Pt100Ω	-200~800°C	50.0°C	Pℓ
	JPt100Ω	-200~500°C	50.0°C	JPℓ
	mA	0~20mA(-9999~9999)		ñA
	mV	-50~50mV(-9999~9999)		ñu
	V	-10~10V(-9999~9999)		ñ
	2-Wire	4~20mA(-9999~9999)		ℓ-ur

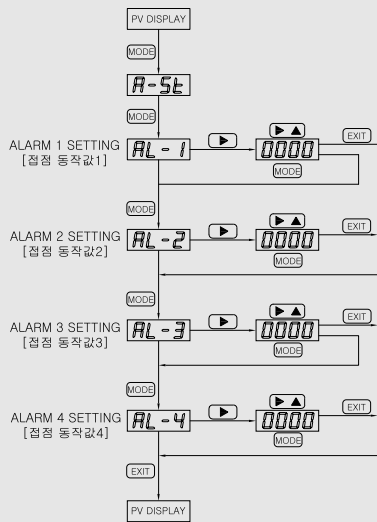
# INDICATOR

PRI-5000

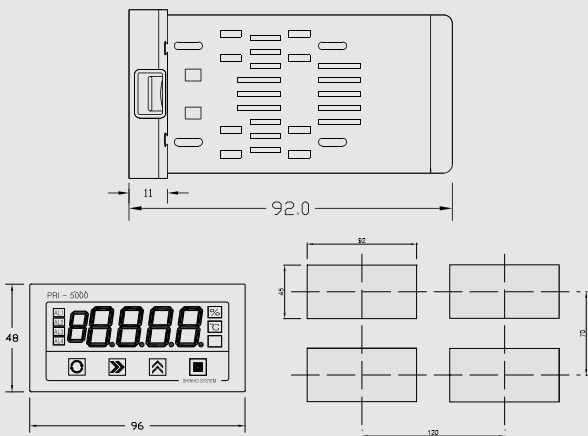
## CONNECTION EXAMPLE



## ALARM SETTING (점점수치설정)



## DIMENSIONS



## PROGRAM SETTING

