

# CT TRANSMITTER

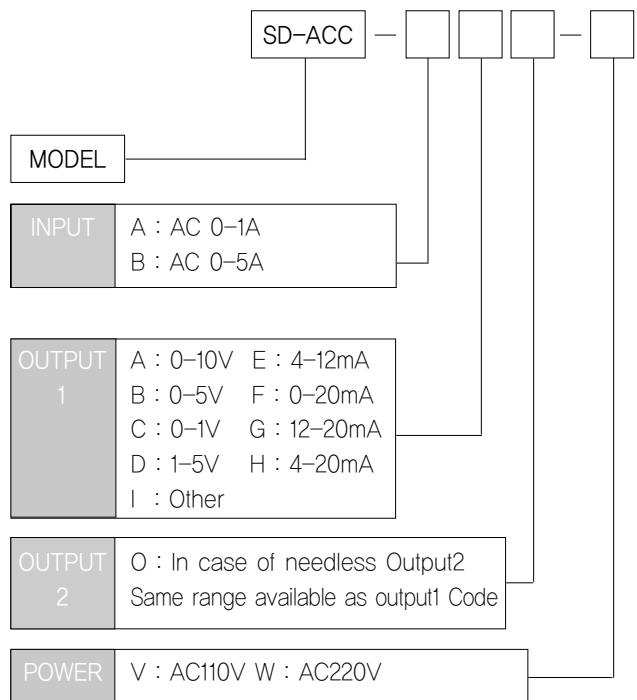
SD-ACC



Converting an alternating current that receives from a CT-sensor into a standard process signal

- Monitoring of Power line and power supply current
- Centralized monitoring and controlling of motor pumps or heaters by DCS
- True R.M,S sensing
- 1 or 2 Outputs are available from 1 input
- Contains overvoltage protection circuit
- Transformer isolation type

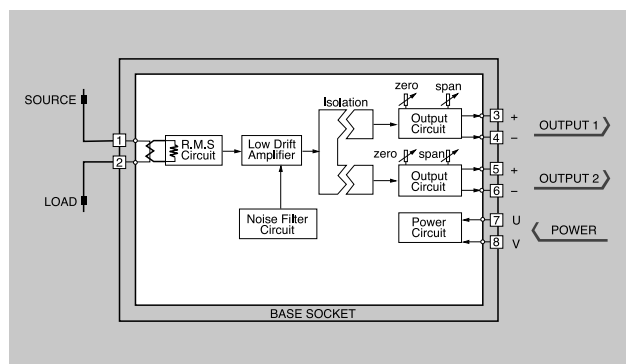
## MODEL & SUFFIX CODE SELECTION



## GENERAL SPECIFICATIONS

Input	AC Current (CT)
Isolation type	Transformer Isolation type
Accuracy	± 0.35%
Temp Coefficient	±0.015% / °C
Linearity	±0.02% F.S
Isolation Resistance	Greater then 100MΩ with DC500V
Dielectric Strength	Input-Power AC2000V
	Output-Power AC1000V 1minute
	GND-Power
Front Adjustments	Zero and Span ± 5%
Overrange Output	approx-10%~110% at DC 1-5V
Response Time	≤ 0.5sec (0-90%)
Operating Temperature / Humidity	-20~60°C / 90% (N.C)
Storage Temperature / Humidity	-20~80°C / 95% (N.C)
Dimensions	W34*H105*D100 (mm)
Case Material	ABS Resin ( black)
Weight	about 200g
Mounting	DIN Rail mountin

## BLOCK DIAGRAM



## DIMENSIONS (Unit:mm)

