

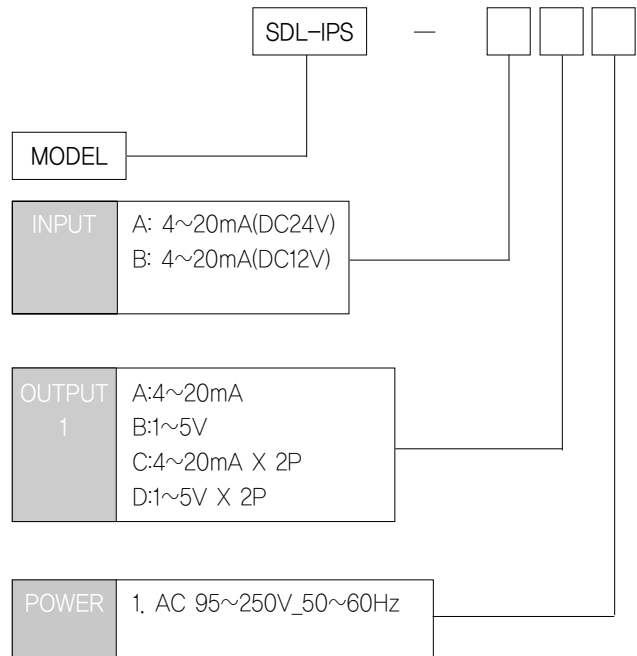
CURRENT LOOP SUPPLY

SDL-IPS



- Compact Size, 4 Digit LCD Display.
- It is realized hi effectiveness and hi accuracy use by 16bit AD converter.
- It contains peak hold function so possible to use various application.
- Contain burnout function that give high output and display warning message when sensor line was disconnected by accident or other reasons.

MODEL & SUFFIX CODE SELECTION

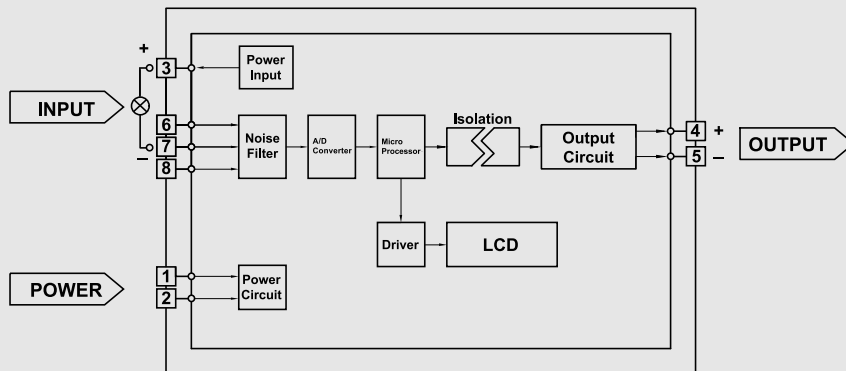


GENERAL SPECIFICATIONS

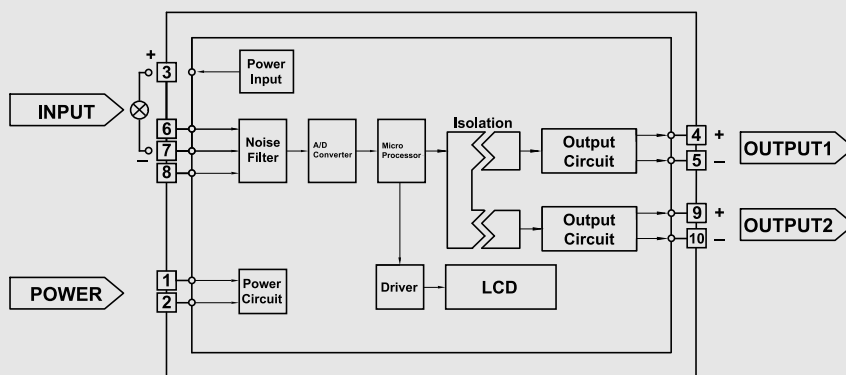
| | | | |
|--------------------------------|---|----------|----------|
| Isolation/Type | Input to output to power/Transformer isolation type | | |
| Power Supply | AC 95VA~250V(50~60Hz ±10%) | | |
| Accuracy | ±0.1%(Max) | | |
| Temp Coefficient | ±0.015% / °C | | |
| Linearity | ±0.02% F.S | | |
| Insulation Resistance | Greater than 100MΩ with DC 500V | | |
| Dielectric Strength | Input - Power | AC 2500V | 1 minute |
| | Input - Output | | |
| | GND - Power | AC 1000V | |
| Overrange Output | approx.-10% ~ 110% at DC 1~5V ±5% | | |
| Response Time | ≤0.5 sec (0~90%) | | |
| Operating Temperature/Humidity | -20~60°C / 90%(N.C) | | |
| Storage Temperature/Humidity | -20~80°C / 95%(N.C) | | |
| Dimensions | W34xH105xD100(mm) | | |
| Case Material | ABS Resin (black or Gray) | | |
| Weight | about 200g | | |
| Mounting | Din Rail mounting | | |

BLOCK DIAGRAM

1 Point Output



2 Point Output



DIMENSIONS(Unit :mm)

