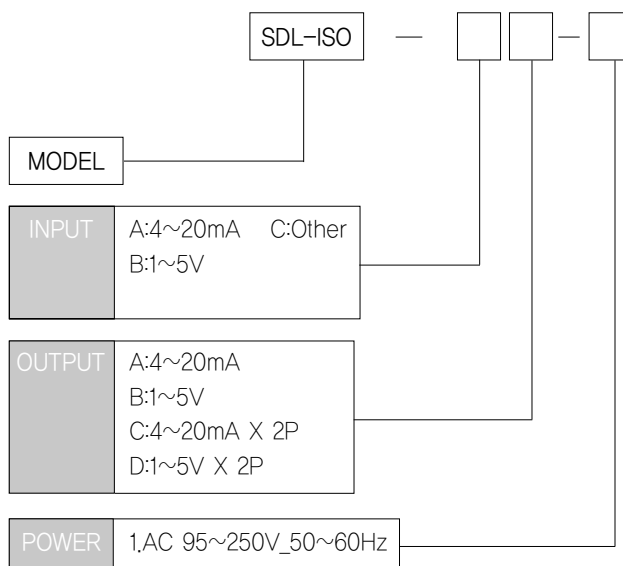




- Compact Size, 4 Digit LCD Display.
- It is realized hi effectiveness and hi accuracy use by 16bit AD converter.
- It is contains peak hold function so possible to use various application.
- Contain burnout function that give high output and display warning message when sensor line was disconnected by accident or other reasons.

### MODEL & SUFFIX CODE SELECTION



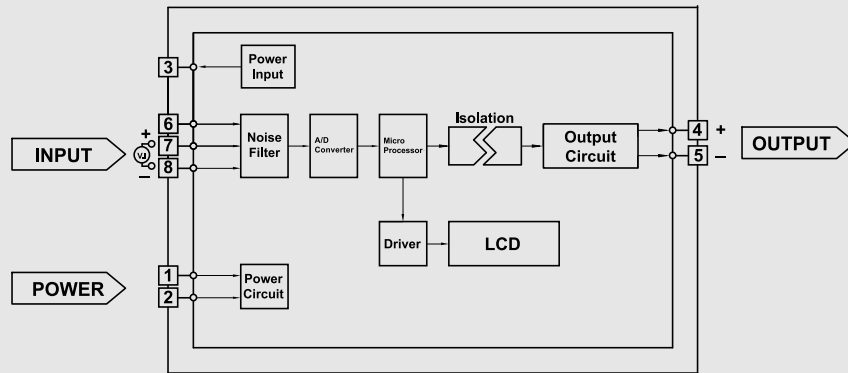
### GENERAL SPECIFICATIONS

Isolation/Type	Input to output to power/Transformer isolation type		
Power Supply	AC 95V -250V(50~60Hz ±10%)		
Accuracy	±0.1%(Max)		
Temp Coefficient	±0.015% / °C		
Linearity	±0.02% F.S		
Insulation Resistance	Greater than 100MΩ with DC 500V		
Dielectric Strength	Input - Power	AC 2500V	1 minute
	Input - Output		
	GND - Power	AC 1000V	
Overrange Output	approx. -10% ~ 110% at DC 1~5V		
Response Time	≤0.5 sec (0~90%)		
Operating Temperature/Humidity	-20~60°C / 90%(N.C)		
Storage Temperature/Humidity	-20~80°C / 95%(N.C)		
Dimensions	W34xH105xD100(mm)		
Case Material	ABS Resin (black or Gray)		
Weight	about 200g		
Mounting	Din Rail mounting		

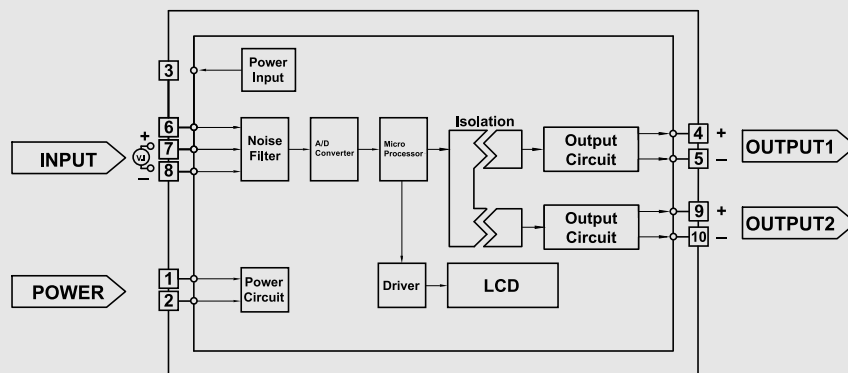
mA	0~20,mA (-999~9999)	㊦
mV	-50,0~50,0mV (-999~9999)	㊧
V	-10,00~10,00V (-999~9999)	㊨

## BLOCK DIAGRAM

### 1 Point Output



### 2 Point Output



### DIMENSIONS(Unit :mm)

