

ARRESTER (for Telecommunication Data)

SHN-TMR



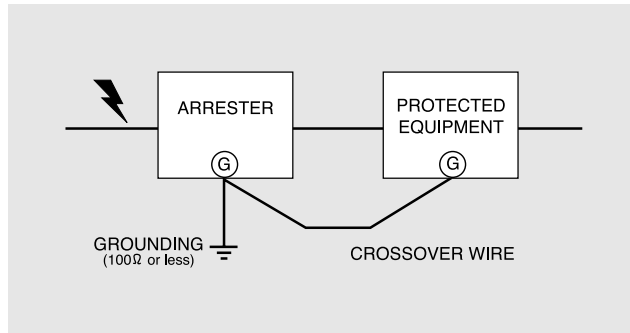
- Applications : Telecommunication(Modem) Line.
- Protection of Measurge or Lighting Induced by Telecommunication(Modem) Line.
- 2 Step Surge Protection Function
- Applied Technique : Base on ANSI / IEEE Category "A" / "B" / "C"
- Adopt all Materials That Acqured International Safety Standards Regulation Line UL, CE, CSA Certificate.
- Easy to Maintain by Plug-in Type.
- For use Telemetering Data(Modem) Line.
- Easy to Maintain by Din-Rail Mounting Braket.
- Compact Size
- Contain Noise Filter Courcuits.
- Contains The Thermal Fuse to Protect Overheat and Surge.

GENERAL SPECIFICATIONS

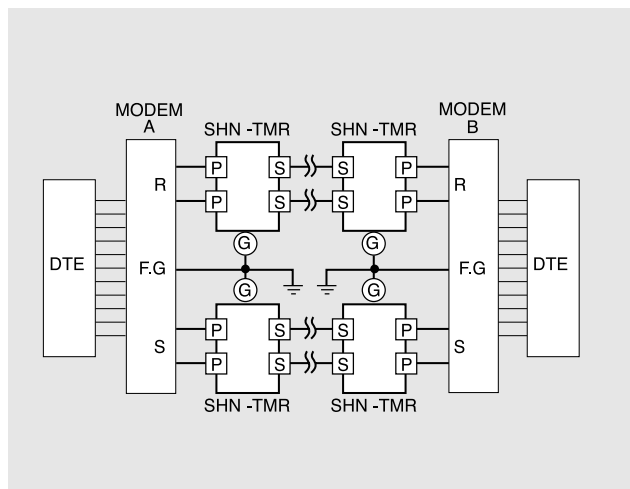
Input	Telemetering Data	
Discharge	btwn lines	$\pm 12V$ or more
Voltage	btwn lines & GND	255V~345V
Max. Surge Voltage(btwn lines)	15V or less	
Response Time	0.1 μ s or less	
Discharge Current	3kA (8x20 μ s)	
Max. load Current	100mA	
Internal Series Resistance	Approx. $8\Omega \pm 0.1\%$ (including return)	
Leakage	btwn lines	20 μ A or less
Current	btwn lines & GND	10 μ A or less(at 140V DC)
Max. Line DC Voltage	1.2V DC	
Operating Temperature	-5 $^{\circ}$ C~+60 $^{\circ}$ C	
Operating Humidity	90% RH Max.	
Dimensions	W23.5xH102xD60(mm)	
Weight/Case	140g/NEMA12	
Mounting/Grounding	Wall Mounting	

GROUNDING

A crossover wire between ARRESTER ground and ground or metallic housing of equipment is required for protection.



CONNECTION DIAGRAM



BLOCK DIAGRAM

